

Complete Units

Model 7005



Safety and features

- Counter element for emergency cash desk doors that are 53 mm, 60 mm or 70 mm thick.
- Fold-away flat tray for passing flat objects (such as identification papers, receipts, cards) up to 30 mm high.
- Installs quickly and easily into a door leaf section prepared by the customer. The operator then tightens the frame section to fit snugly.
- Uses stud bolts to lock when pushed in or folded up. Adjustments can only be made by the operator behind the counter by pulling the fixing stud.
- Changes position within seconds, so the pass-through can be put to immediate use.
- The tray offers firearms protection and is capable of withstanding heavy handgun fire. The tray has also received FB4 certification from the firearms licensing authority.

Materials and use

- Safety glass adhering to C3 SF or BR4N S.
- Frame made of 2 mm and 3 mm brushed stainless steel. Tray made of stainless steel and steel with black-brown powder coated cover.
- All metal parts have been produced using state-of-the-art precision laser cutting technology for ultimate quality.
- Model 7005 is suited for use indoor emergency cash desk doors.
- The unit requires no maintenance. No need for cleaning or lubrication.
- No power required for operation.

Use

The emergency cash desk counter is designed for installation in prepared door leaves that are 53 mm, 60 mm or 70 mm thick. It helps banks continue checkout operation during emergencies, such as power outages or malfunctioning ATMs.

Complete Units

Outer dimensions

(all measurements in mm)

Width 467

Depth 762

Tray clearance

Width 315

Height 30

Door leaf thickness

53, 60 or 70 mm

Mounting/Door leaf section

436 x 737

Weight

45kg

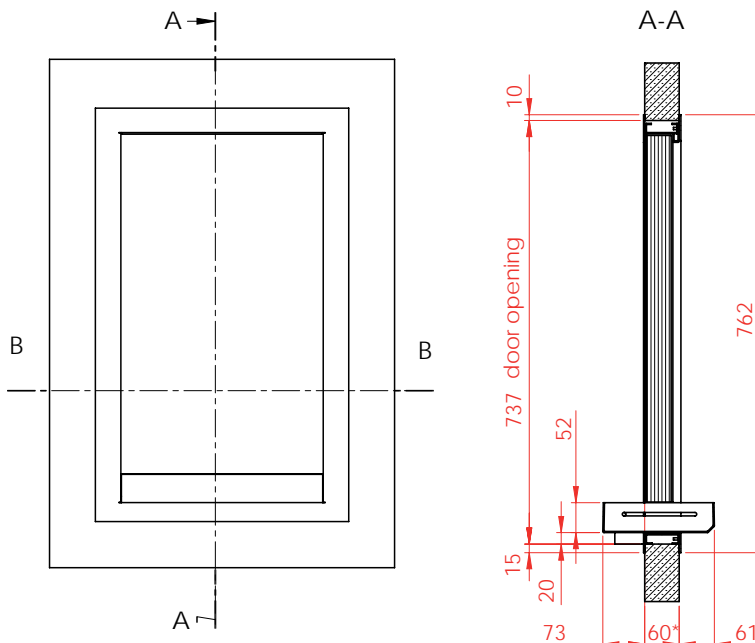
Miscellaneous

- Special sizes available on request.
- Inner casing coatings available in alternative RAL colours on request.

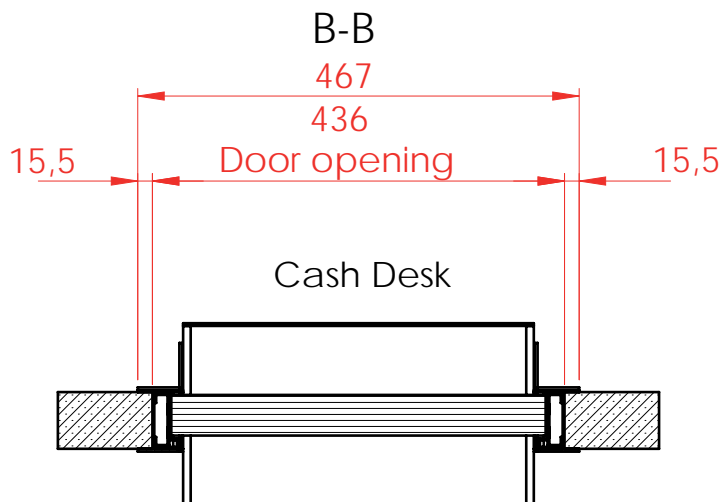
Model 7005

Installation and dimensions

The unit comes ready for exact mounting in prepared door leaf section. It is inserted into the door leaf opening by the customer and from the outside. This is done by removing the inner casing before screwing the unit into place from the inside to prevent tampering.



* also available for door leaves 53 mm and 70 mm thick



Walter Wurster GmbH

Heckenrosenstraße 38

D-70771 Leinfelden-Echterdingen

Germany

Telefon: +49 (0) 711 / 9 49 62-0

Telefax: +49 (0) 711 / 7 97 72 90

e-mail: kontakt@IdeeninBlech.de

internet: www.IdeeninBlech.de