

Model 12 FB6

Use

Model 12 is a flat receipt and payment tray that comes ready for installation. It is ideal for use as an indoor counter unit for handing over receipts, documents and small amounts of money. It offers level FB6 firearms protection, and is available in firearms protection class FB7 or FB4 on request.



Safety and features

- Ready-for-mounting flat tray for handing over flat items such as files up to DIN A4 in size, receipts, documents, passes, rolls of money and other items up to 30mm high.
- User-friendly edges for removing coins.
- Materials offer firearms protection, capable of withstanding heavy gunfire. The unit has received FB6/FB7 certification from the firearms licensing authority.
- Model 12 fulfils German UVV regulations.

Materials and use

- The flat tray is made of a special substance with a black-brown powder coating. The metal plating is either made of or reinforced with special steel.
- Surround made of 1mm brushed stainless steel.
- All metal parts have been produced using state-of-the-art precision laser cutting technology for ultimate quality.
- Model 12 is suitable for use in indoor areas.
- The receipt and payment trays require no maintenance. No need for cleaning or lubrication.

Payment trays

Outer dimensions

(all measurements in mm)

Width	412
Depth	352
Height	82

Tray clearance

Width	335
Height	30

Mounting dimensions, wall recess

See installation diagram

Weight

23 kg

Miscellaneous

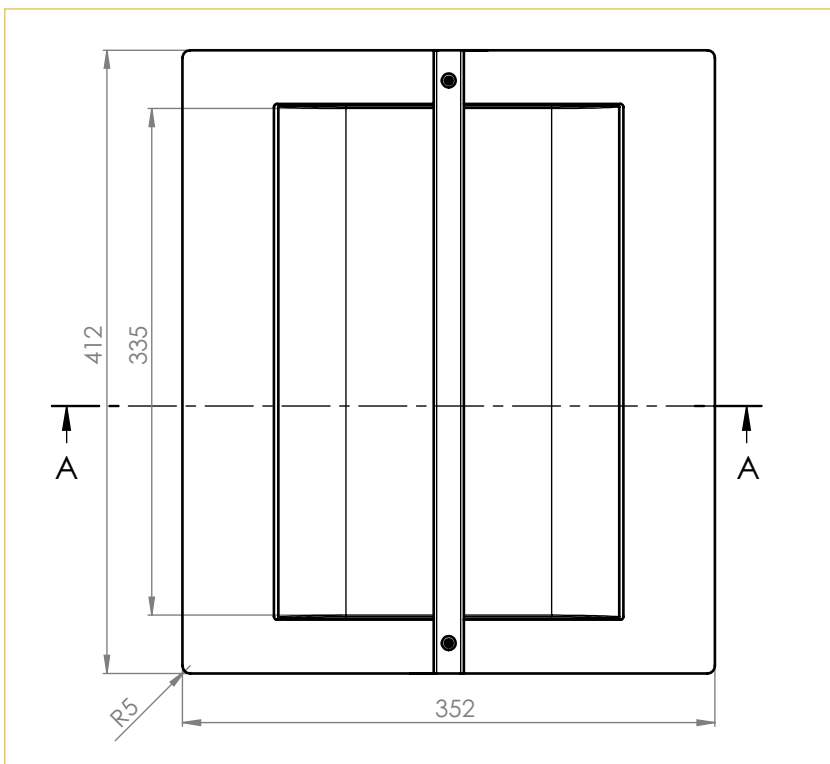
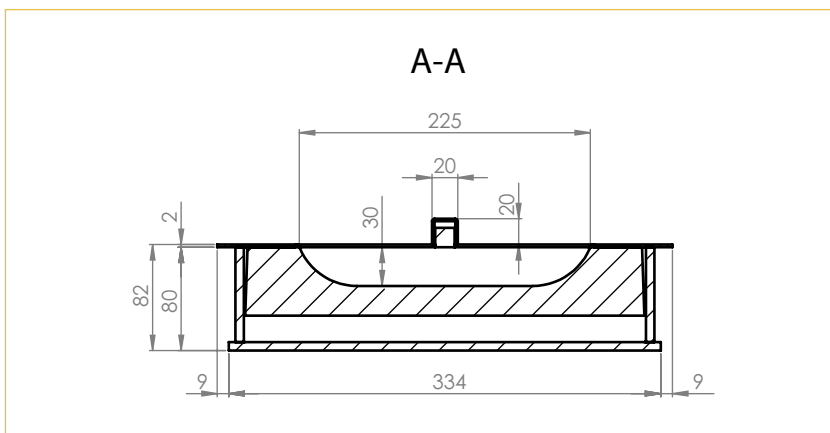
- Other colours available on request
- Also available in firearms protection class FB7 for high security areas, with certificate

Model 12 FB6

Installation and dimensions

The receipt and payment tray comes ready for mounting in an existing wall recess, into which it is inserted from above.

We recommend using a supporting substructure for the unit (FB6 or FB7).



Walter Wurster GmbH

Heckenrosenstraße 38

D-70771 Leinfelden-Echterdingen

Telefon: +49 (0) 711 / 9 49 62-0

Telefax: +49 (0) 711 / 7 97 72 90

e-mail: kontakt@IdeeninBlech.de

internet: www.IdeeninBlech.de